

quality . service
innovation . integrity

Model 98



Features

This "Flow-Mate" model submersible pump is designed for use in residential or light commercial dewatering applications and can be used to transfer groundwater or effluent. This durable cast iron pump includes a powder coated epoxy finish to prevent corrosion and is designed to provide great heat dissipation from the motor, ensuring a long service life. As with every Zoeller pump, each one is 100% pressure-tested, submerged and run to ensure quality and reliability for years of trouble-free performance! This attention to detail is an inherent feature of every pump, making it one of the most reliable in the industry.

- Automatic models include a float-operated, 2-pole mechanical switch, a stainless steel float guard and switch arm, and a solid, buoyant polypropylene float, which prevents water from filling the float and causing a malfunction.
- For nonautomatic pumps, variable level control systems and containers of various sizes are available for longer cycles.
- Includes a stainless steel handle for easy installation and removal.
- Hermetically sealed to be watertight, dust-tight, and completely submersible.

Reserve Powered Design: For unusual conditions, a reserve safety factor is engineered into the design of every pump.

Specifications

Motor Characteristics

Motor	1/2 HP
Voltage	115 or 230 V
Phase	1 Ph
Hertz	60 Hz
RPM	1725 RPM
Type	Permanent split capacitor
Insulation	Class B
Amps	4.7 - 9.4 Amps

Pump Characteristics

Operation	Automatic or nonautomatic
Auto On/ Off Points	9-1/2" / 3" (24 cm / 8 cm)
Discharge Size	1-1/2" NPT
Solids Handling	1/2" (13 mm) spherical solids
Cord Length	15' (5 m) standard
Cord Type	UL listed
Max Head	23' (7 m)
Max Flow Rate	72 GPM (273 LPM)
Max Operating Temp	130° F (54° C)
Cooling	Oil filled
Motor Protection	Auto reset thermal overload

Materials Characteristics

Cap	Cast iron
Motor Housing	Cast iron
Pump Housing	Cast iron
Base	Cast iron
Upper Bearing	Oil-fed cast iron
Lower Bearing	Oil-fed cast iron
Mechanical Seals	Carbon and ceramic
Impeller Type	Non-clogging vortex
Impeller	Engineered plastic
Hardware	Stainless steel
Motor Shaft	AISI 1215 cold roll steel
Gasket	Neoprene

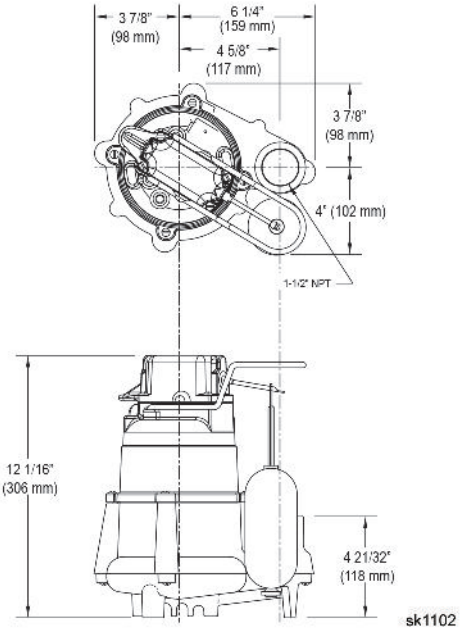
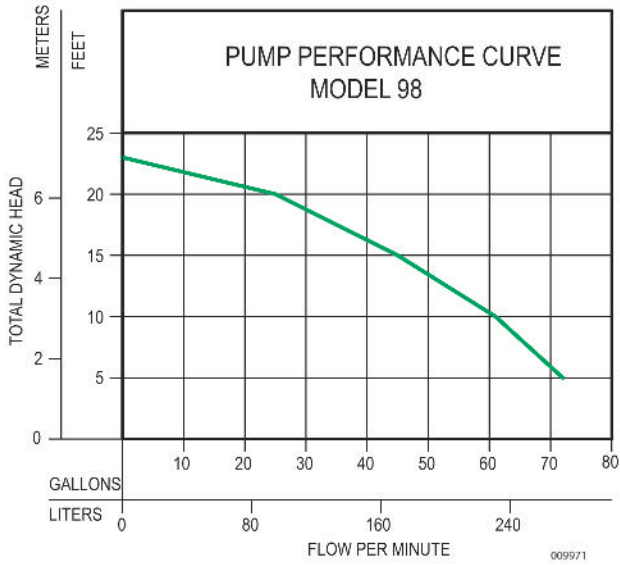


PUMP COMPANY

Zoeller Family of Water Solutions™

FM0973_Ea

Model 98



Model

Model Number	Seal	Mode	Volts	Phase	Amps	HP	Hz	Lbs	Kg
M98	Single	Auto	115	1	9.4	1/2	60	36	16
N98	Single	Non	115	1	9.4	1/2	60	36	16
D98	Single	Auto	230	1	4.7	1/2	60	36	16
E98	Single	Non	230	1	4.7	1/2	60	35	16
BN98	Single	Auto	115	1	9.4	1/2	60	37	17
BE98	Single	Non	115	1	9.4	1/2	60	40	18

BN and BE models include a 20' (6 m) piggyback variable level pump switch.
 Additional cord lengths are available in 25' (8 m) and 35' (11 m). 50' (15 m) cords are available for 230 V units only.

Your Peace of Mind is Our Top Priority®

3649 Cane Run Rd | Louisville, KY 40211 USA

+1 502-778-2731 | 1-800-928-7867 | Fax: +1 502-774-3624

www.zoeller.com